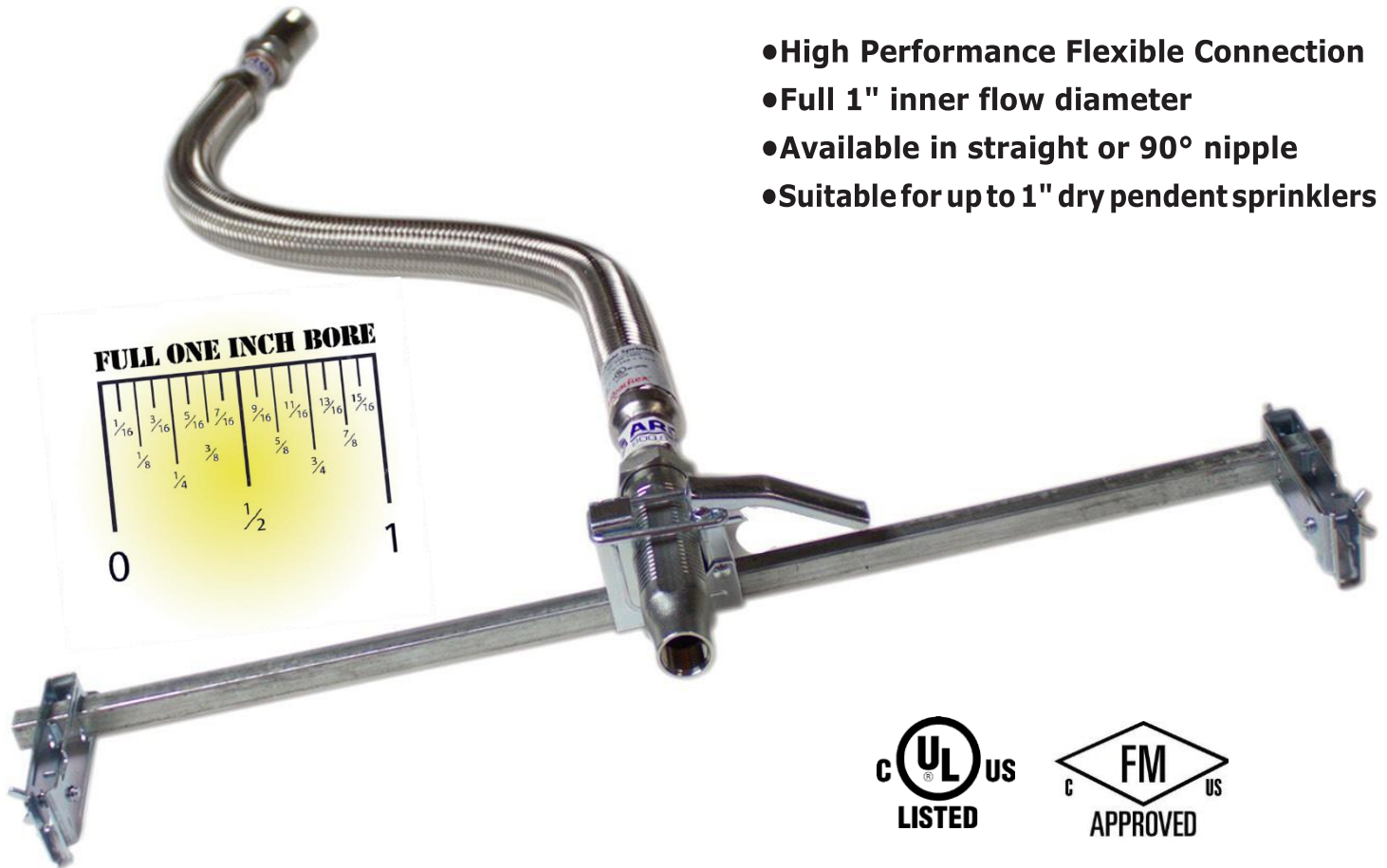


**FLEXIBLE SPRINKLER DROP HOSE FULL BORE**  
**BRAIDED CONNECTIONS**  
with Straight End Connection Inlet

# MEGA-FLEX

- High Performance Flexible Connection
- Full 1" inner flow diameter
- Available in straight or 90° nipple
- Suitable for up to 1" dry pendent sprinklers



## PRODUCT DESCRIPTION

- Series RF-400-BR 1"/DN25 Nominal ID Braided Hose: 28, 40, 48, 60, 72"
- Sprinkler Connections: 1/2", 3/4" & 1" NPT
- Inlet Connections: 1"/25mm NPT
- Straight Reducing Nipple Length: 5.5" (other lengths available)
- 90° Elbows: Short (typically used with concealed sprinklers)  
Long (typically used with recessed pendent sprinklers)

## TECHNICAL DATA

- Rated Pressure: 203 PSI (14 Bars)
- Maximum Ambient Temperature: 150°F (66°C)
- Maximum Sprinkler K-factor for 1/2" outlet: 8.0
- Maximum Sprinkler K-factor for 3/4" outlet: 14.0
- Maximum Sprinkler K-factor for 1" outlet: 25.2
- Designed for use in wet and dry systems
- Flexibility Type: Unlimited
- Minimum Bend Radius: 2"
- Hose Diameter: O.D. 1-3/8" / Flow 1"

Friction Loss Data continued on next page

# FLEXIBLE SPRINKLER DROP HOSE FULL BORE

## BRAIDED CONNECTIONS

### with Straight End Connection Inlet

#### Friction Loss Data and Specifications

Model	Length	NPT	k-Factor	Equivalent Length of 1 ft Sch 40 Pipe					
				cULus LISTED			FM APPROVED		
				UL	Max. # of Bends	Min. Bending Radius	FM	Max. # of Bends	Min. Bending Radius
RF-400-BR FLEX-07-050	28"	1/2"	5.6 & 8.0	18 ft	4	2"	4.5 ft	1	6.9"
RF-400-BR FLEX-10-050	40"	1/2"	5.6 & 8.0	24 ft	5	2"	9.8 ft	3	6.9"
RF-400-BR FLEX-12-050	48"	1/2"	5.6 & 8.0	37 ft	8	2"	13.4 ft	3	6.9"
RF-400-BR FLEX-15-050	60"	1/2"	5.6 & 8.0	49 ft	10	2"	18.8 ft	3	6.9"
RF-400-BR FLEX-18-050	72"	1/2"	5.6 & 8.0	52 ft	12	2"	24.2 ft	4	6.9"

Model	Length	NPT	k-Factor	Equivalent Length of 1 ft Sch 40 Pipe					
				cULus LISTED			FM APPROVED		
				UL	Max. # of Bends	Min. Bending Radius	FM	Max. # of Bends	Min. Bending Radius
RF-400-BR FLEX-07-075	28"	3/4"	8.0, 11.2, 14.0	18 ft	4	2"	13.0 ft	1	6.9"
RF-400-BR FLEX-10-075	40"	3/4"	8.0, 11.2, 14.0	24 ft	5	2"	20.8 ft	3	6.9"
RF-400-BR FLEX-12-075	48"	3/4"	8.0, 11.2, 14.0	37 ft	8	2"	26.0 ft	3	6.9"
RF-400-BR FLEX-15-075	60"	3/4"	8.0, 11.2, 14.0	49 ft	10	2"	33.8 ft	3	6.9"
RF-400-BR FLEX-18-075	72"	3/4"	8.0, 11.2, 14.0	52 ft	12	2"	41.7 ft	4	6.9"

Model	Length	NPT	k-Factor	Equivalent Length of 1 ft Sch 40 Pipe					
				cULus LISTED			FM APPROVED		
				UL	Max. # of Bends	Min. Bending Radius	FM	Max. # of Bends	Min. Bending Radius
RF-400-BR FLEX-07-100	28"	1"	25.2 and less	18 ft	4	2"	5.6 ft	1	7"
RF-400-BR FLEX-10-100	40"	1"	25.2 and less	24 ft	5	2"	9.2 ft	3	7"
RF-400-BR FLEX-12-100	48"	1"	25.2 and less	37 ft	8	2"	11.6 ft	3	7"
RF-400-BR FLEX-15-100	60"	1"	25.2 and less	49 ft	10	2"	15.2 ft	3	7"
RF-400-BR FLEX-18-100	72"	1"	25.2 and less	52 ft	12	2"	19.1 ft	4	7"

# FLEXIBLE SPRINKLER DROP HOSE FULL BORE

**BRAIDED CONNECTIONS  
with 90° Elbow Outlet**

# MEGA-FLEX



## Friction Loss Data and Specifications

Model	Length	NPT	k-Factor	Equivalent Length of ft Sch 40 Pipe	Max. # of Bends	Min. Bending Radius	
						of ft Sch 40 Pipe	
RF-400-BRE FLEX-07-050	28"	1/2"	5.6 & 8.0	16.3 ft	1	6.9"	
RF-400-BRE FLEX-10-050	40"	1/2"	5.6 & 8.0	24.4 ft	3	6.9"	
RF-400-BRE FLEX-12-050	48"	1/2"	5.6 & 8.0	29.8 ft	3	6.9"	
RF-400-BRE FLEX-15-050	60"	1/2"	5.6 & 8.0	37.9 ft	3	6.9"	
RF-400-BRE FLEX-18-050	72"	1/2"	5.6 & 8.0	46.0 ft	4	6.9"	

Model	Length	NPT	k-Factor	Equivalent Length	Max. # of Bends	Min. Bending
RF-400-BRE FLEX-07-075	28"	3/4"	8.0, 11.2, 14.0	14.7 ft	1	6.9"
RF-400-BRE FLEX-10-075	40"	3/4"	8.0, 11.2, 14.0	23.4 ft	3	6.9"
RF-400-BRE FLEX-12-075	48"	3/4"	8.0, 11.2, 14.0	29.2 ft	3	6.9"
RF-400-BRE FLEX-15-075	60"	3/4"	8.0, 11.2, 14.0	37.9 ft	3	6.9"
RF-400-BRE FLEX-18-075	72"	3/4"	8.0, 11.2, 14.0	46.8 ft	4	6.9"

# FLEXIBLE SPRINKLER DROP HOSE FULL BORE

## BRAIDED CONNECTIONS

### Grooved Inlet with 90° Elbow Outlet



#### Friction Loss Data and Specifications

Model	Length	NPT	k-Factor	Equivalent Length of ft Sch 40 Pipe	Max. # of Bends	Min. Bending Radius
RF-400-BRGE FLEX-07-050	28"	1/2"	5.6 & 8.0	16.3 ft	1	7"
RF-400-BRGE FLEX-10-050	40"	1/2"	5.6 & 8.0	24.4 ft	3	7"
RF-400-BRGE FLEX-12-050	48"	1/2"	5.6 & 8.0	29.8 ft	3	7"
RF-400-BRGE FLEX-15-050	60"	1/2"	5.6 & 8.0	37.9 ft	3	7"
RF-400-BRGE FLEX-18-050	72"	1/2"	5.6 & 8.0	46.0 ft	4	7"



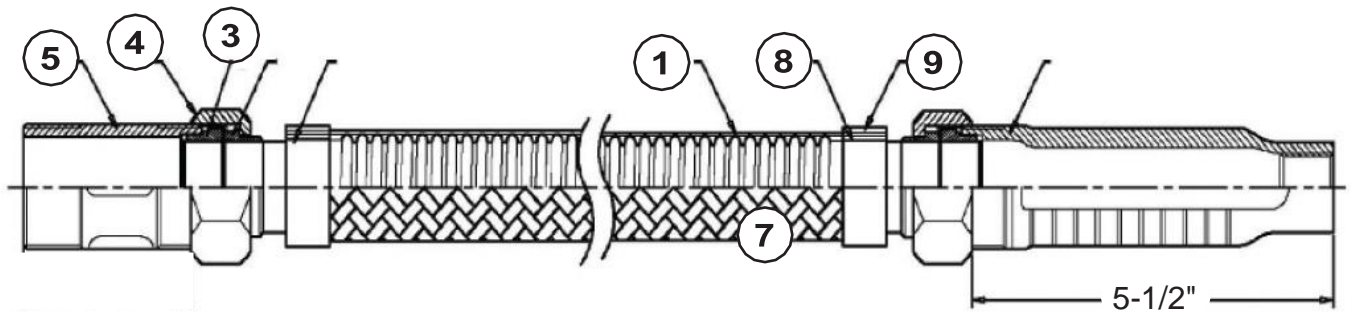
#### Friction Loss Data and Specifications

Model	Length	NPT	k-Factor	Equivalent Length of ft Sch 40 Pipe	Max. # of Bends	Min. Bending Radius
RF-400-BRGE FLEX-07-075	28"	3/4"	8.0, 11.2, 14.0	14.7 ft	1	7"
RF-400-BRGE FLEX-10-075	40"	3/4"	8.0, 11.2, 14.0	23.4 ft	3	7"
RF-400-BRGE FLEX-12-075	48"	3/4"	8.0, 11.2, 14.0	29.2 ft	3	7"
RF-400-BRGE FLEX-15-075	60"	3/4"	8.0, 11.2, 14.0	37.9 ft	3	7"
RF-400-BRGE FLEX-18-075	72"	3/4"	8.0, 11.2, 14.0	46.8 ft	4	7"

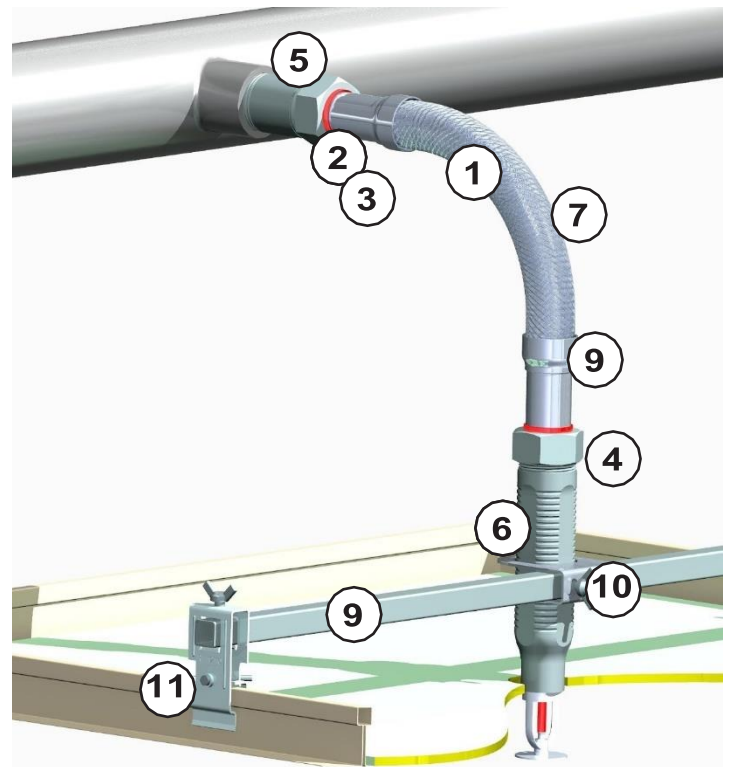


# FLEXIBLE SPRINKLER DROP HOSE BRAIDED CONNECTIONS

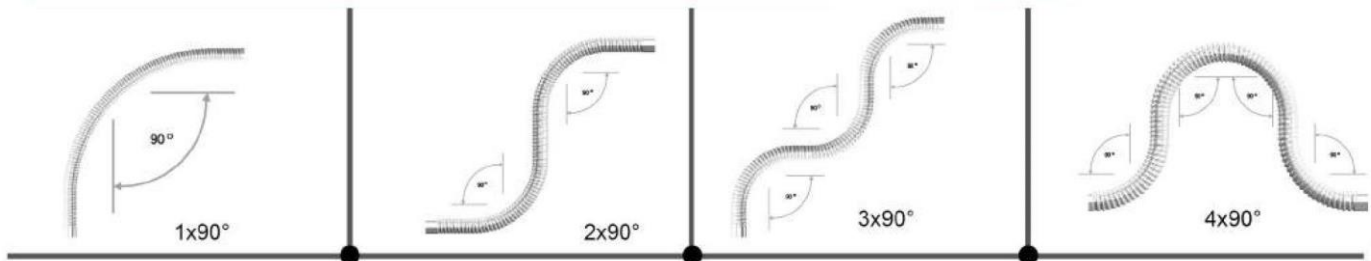
## COMPONENTS:



- |                        |                     |
|------------------------|---------------------|
| 1. FLEXIBLE TUBE       | 304 STAINLESS STEEL |
| 2. ISOLATION RING      | NYLON 66            |
| 3. SEALING GASKET      | EPDM                |
| 4. NUT                 | ZINC PLATED STEEL   |
| 5. NIPPLE 1"           | ZINC PLATED STEEL   |
| 6. REDUCING NIPPLE     | ZINC PLATED STEEL   |
| 7. BRAID               | 304 STAINLESS STEEL |
| 8. COLLAR RING (OUTER) | 304 STAINLESS STEEL |
| 9. SQUARE BAR          | ZINC PLATED STEEL   |
| 10. CENTER BRACKET     | ZINC PLATED STEEL   |
| 11. 4" END BRACKET(S)  | ZINC PLATED STEEL   |



## HOSE BENDING PARAMETERS



## **FLEXIBLE SPRINKLER DROP HOSE**

### **INSTALLATION INSTRUCTIONS**

Determine the approximate place where the sprinklers will be located. The sprinkler should be located as close as possible to the center of the distance between ceiling grid's T-bars.

#### **CONNECT INLET NIPPLE**

Use a pipe wrench to screw the INLET NIPPLE into the branch outlet. Apply pipe joint compound or Teflon tape to the tapered threads to seal and tighten the branch line nipple into the branch line outlet, with 35ft-lbs/50N•m.

**DO NOT OVERTIGHTEN.**



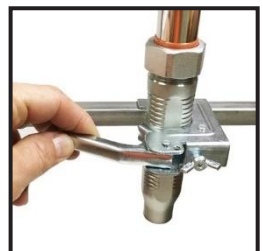
#### **ATTACH BRACKET SET**

Attach SIDE BRACKETS to the main rail of the T-Bar grid and cross the SQUARE BAR through two SIDE BRACKETS, with the CENTER BRACKET in the middle. Tighten all bolts on the side brackets with 3ft-lbs/4N•m.



#### **BENDING AND LOCATING**

With CENTER BRACKET in the middle of the SQUARE BAR, bend the FLEXIBLE HOSE body as desired (According to hose bending parameters) and locate the DISCHARGE NIPPLE into the CENTER BRACKET and hinge arm and tighten wing nut with 3ft-lbs/4N•m torque, after the proper location of sprinkler head has been determined.



#### **CONNECT DISCHARGE NIPPLE**

Apply Teflon tape to the male threads of the sprinkler. Tighten slip nuts of CENTER BRACKET and install sprinkler head to discharge nipple by following the sprinkler manufacturer's installation instructions.

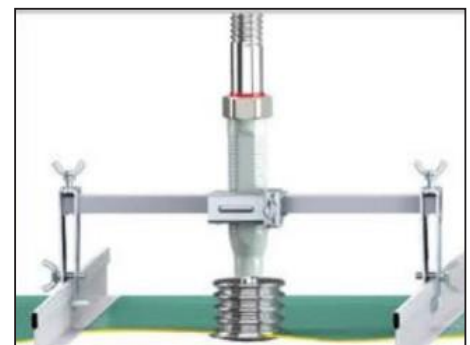
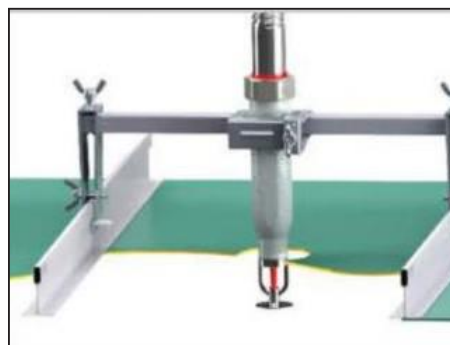


#### **TEST**

After installation is complete, test the system for leaks in accordance with NFPA guidelines.

#### **ADDITIONAL SECURITY**

Simply add 4x1" sheet metal screws to build a tamper resistant installation.



# FLEXIBLE SPRINKLER DROP HOSE

## INSTALLATION OPTIONS



Installation on T-Bar grid ceiling system, both regular pendent and concealed sprinklers.



Installation on wood studs with standard long side bracket.

## ADDITIONAL OPTIONS FOR FIVALCO FLEXIBLE SPRINKLER DROPS INSTALLATIONS Call for availability

### RN-10



10" long reducing nipple for pendent sprinklers

### TSB



Short End Brackets for pendent sprinklers. Combine with Short Elbow to reduce clearance to 5.7"

### SRE



Short 90° Elbow + short end brackets for 5.7" clearance.

### HCB



End Brackets for Hard Lid Ceilings with Hat furring channel grid system.

### MSB



End Brackets for Metal Studs/Plasterboard Ceilings

### SCB



Center Bracket for Sidewall/Threaded rod. Installation for Wall/isolation board penetrations.

## FLEXIBLE SPRINKLER DROP HOSE

---

### ACCESSORIES



90° Flex Hose  
Reducing Nipple 1" x  
1/2"  
1" x 3/4"



Flex Hose Reducing Nipple  
1" x 1/2"  
1" x 3/4"



Flex Hose End Brackets  
4" End Brackets (sold each)



Easy Snap Flex Hose Center Brackets



Flex Hose Square Bar  
25" Square bar to fit standard ceiling tile grids