

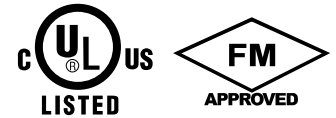
Fireriser® Butterfly Valve

Bronze Butterfly Valves Threaded 300PSI

Fig No:BBT-300

Working pressure:

300 PSI (21 Bars)
 Max. Test Pressure: 600 PSI (42.8 Bars)
 Max. Working Temp.: 250°F (120°C)
 Factory installed UL, listed double Tamper Switches
 Valve Approved For Indoor and Outdoor Use



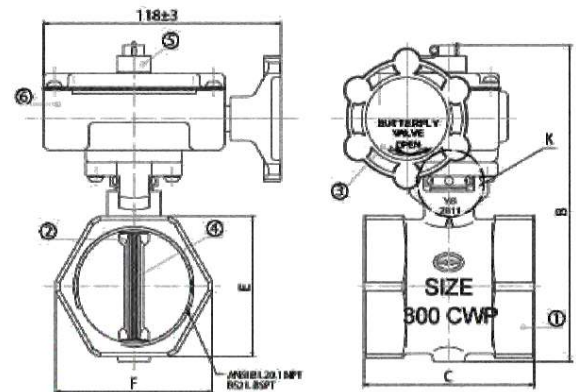
Theaded:

NPT and BSPT



Materials List

Name	Material
Body	Bronze C836000
Disc	Stainless Steel AISI 304
Hand Wheel	WCB
Seat	Viton
Indicator	Powder Metal
Housing	Forged Brass



Dimensions(inch/mm):

Size	1"/25	1.25"/32	1.5"/40	2"/50	2.5"/65
B	129	137.9	145.9	159.8	175.5
C	54	66.7	73	82.6	114
E	39.7	49.2	55.6	70	86.5
F	44.5	55	60.3	79	96

DN25 is UL List and No ULC

Net Weight (kg) and Crate Qty (pcs)

Size	1"/25	1.25"/32	1.5"/40	2"/50	2.5"/65
N.W.	1.55	1.71	1.83	2.35	3.38
Crate Qty	6	6	6	6	6